

Service Document Exchange Set

City Boy 31

Service Manual
Sicherheit
Safety

Materialnr./Part No.
720108000000

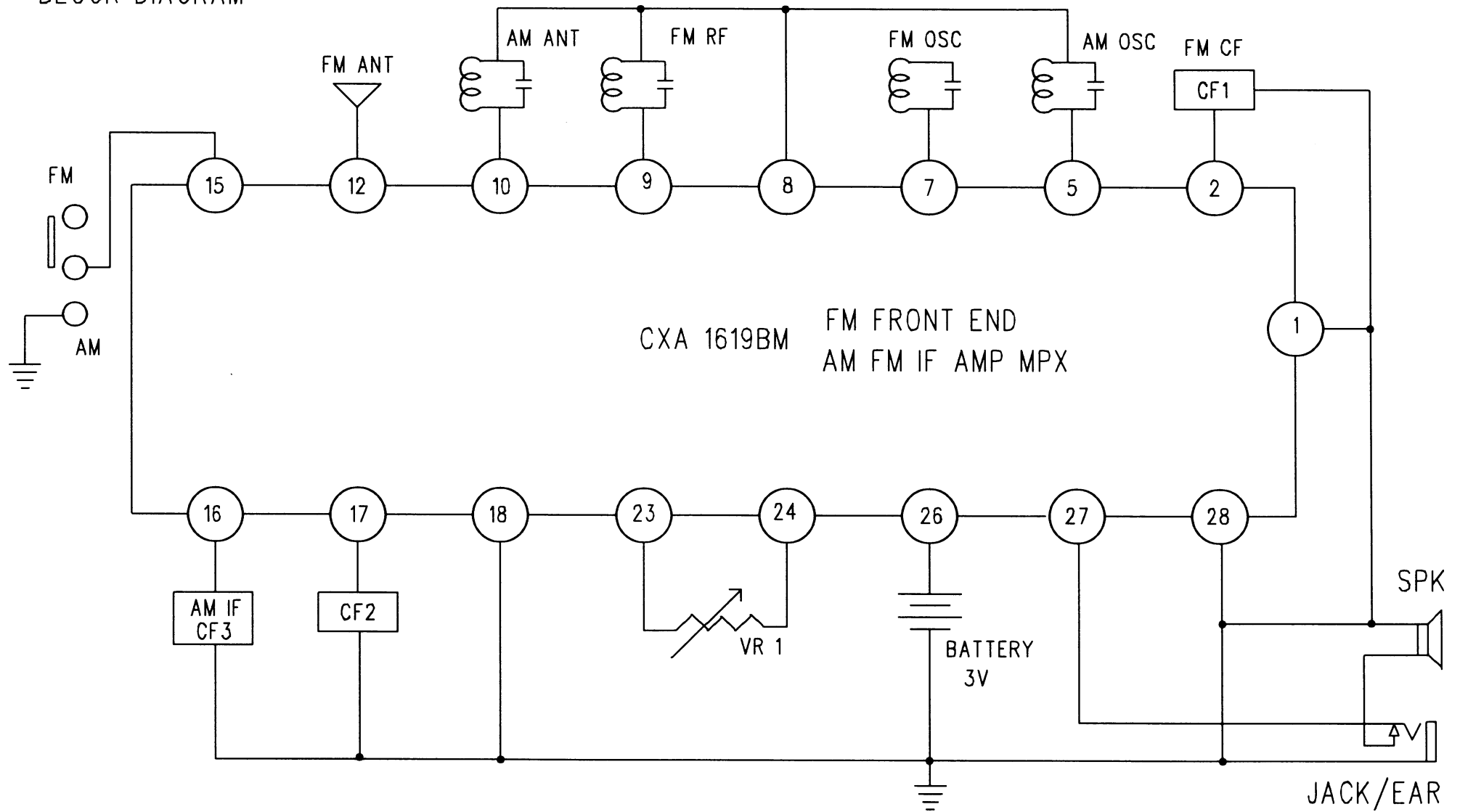


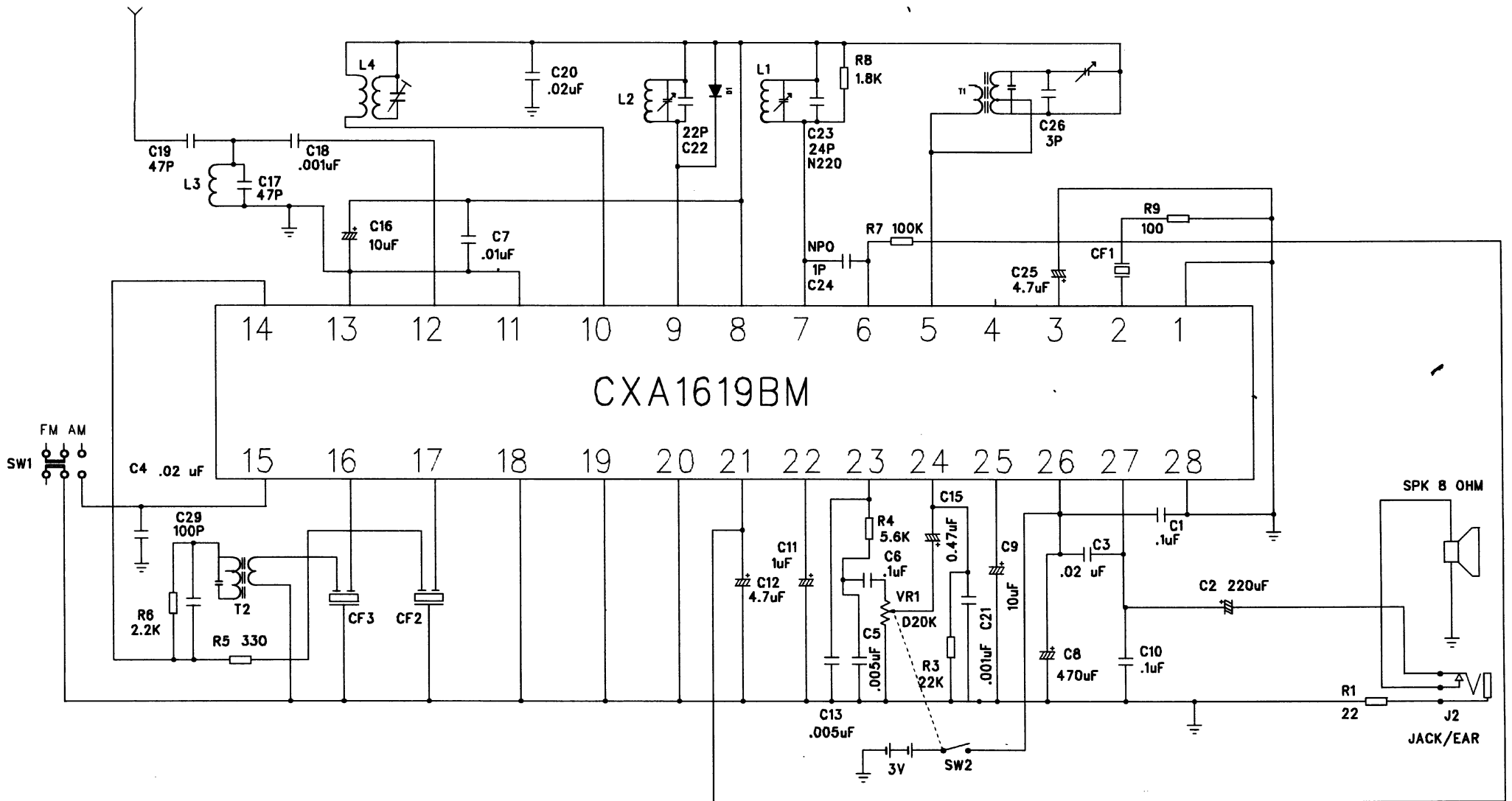
Es gelten die Vorschriften und Sicherheitshinweise gemäß dem Service Manual "Sicherheit", Materialnummer 720108000000, sowie zusätzlich die eventuell abweichenden, landesspezifischen Vorschriften!

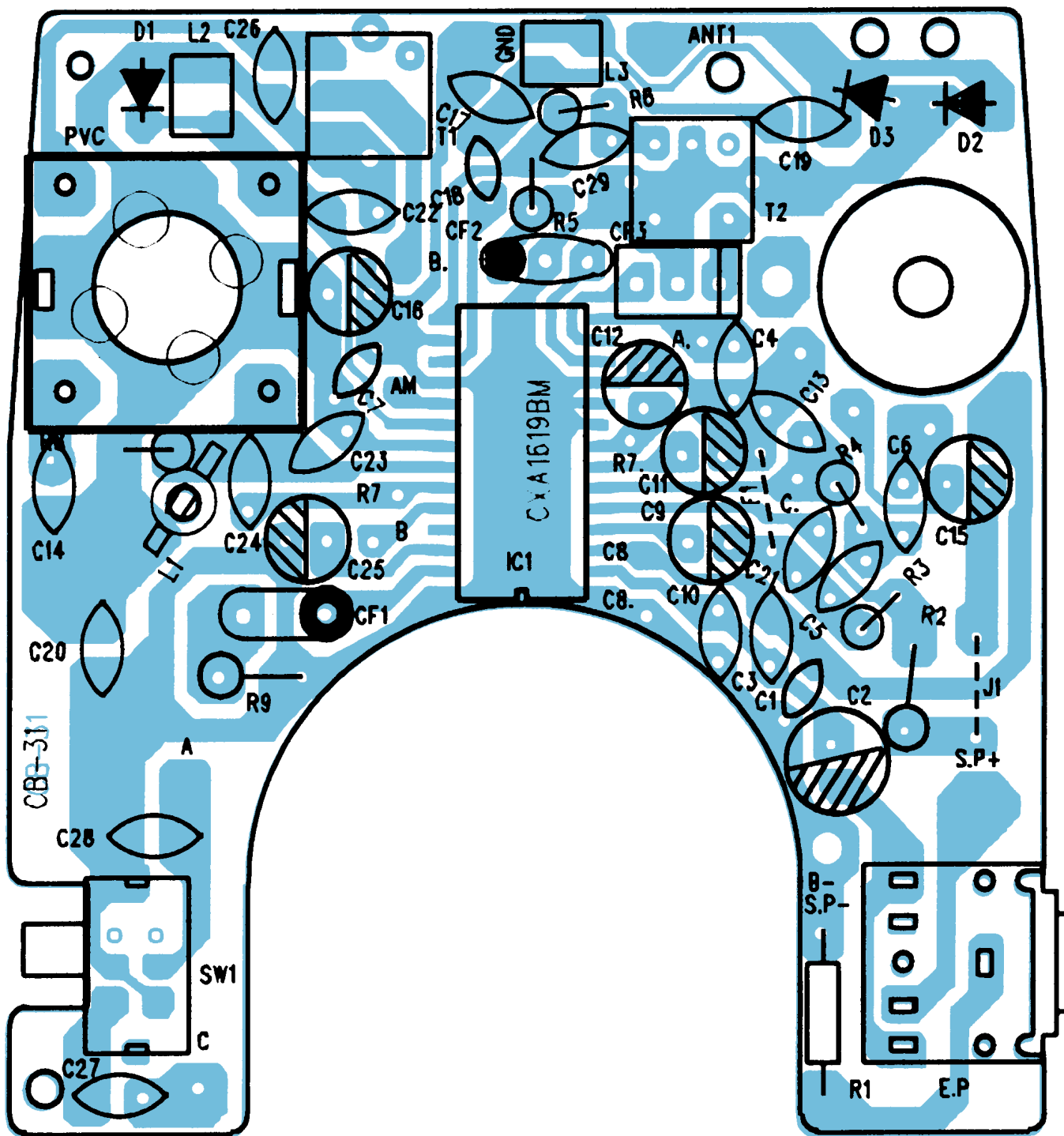


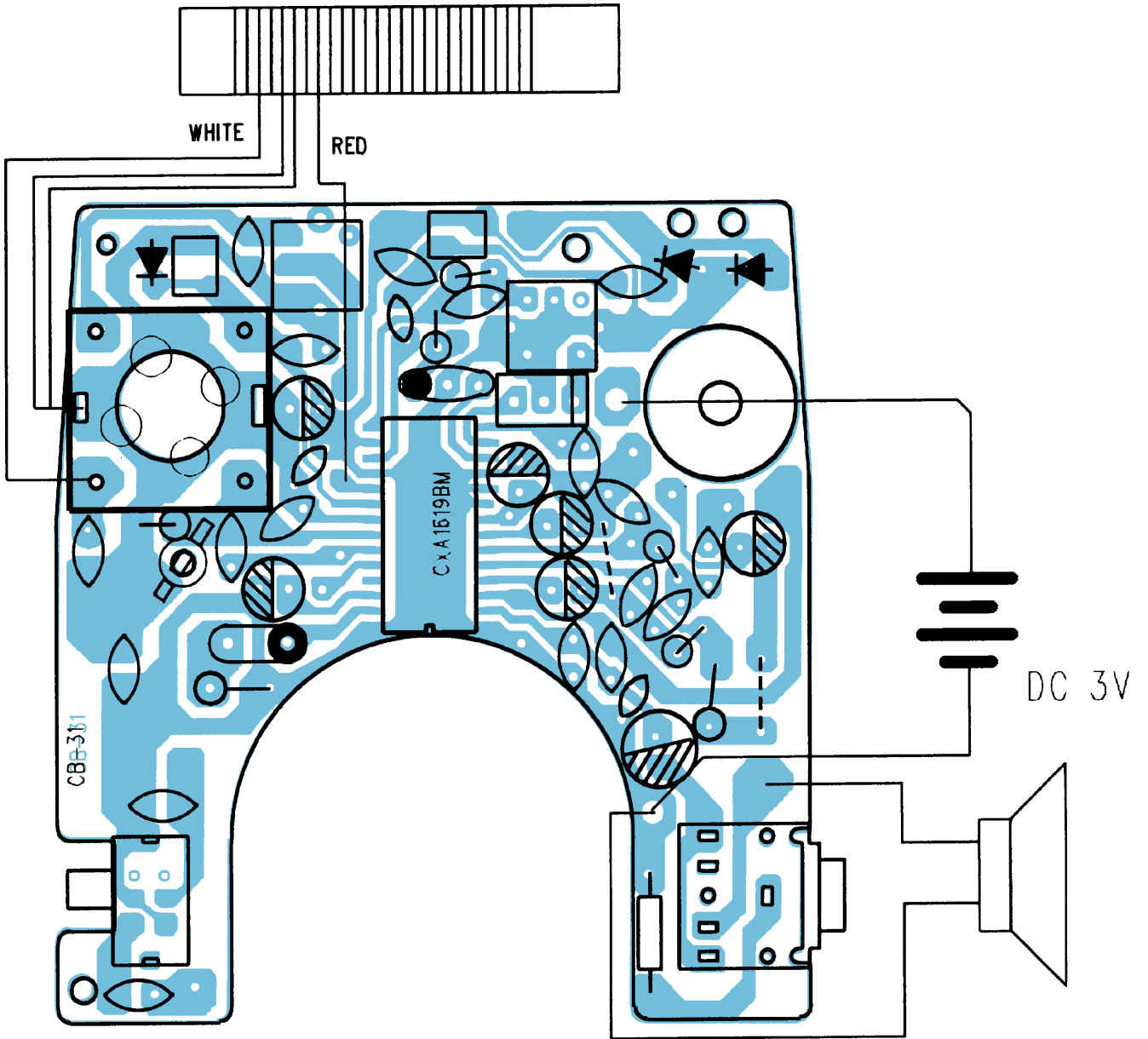
The regulations and safety instructions shall be valid as provided by the "Safety" Service Manual, part number 720108000000, as well as the respective national deviations.

BLOCK DIAGRAM

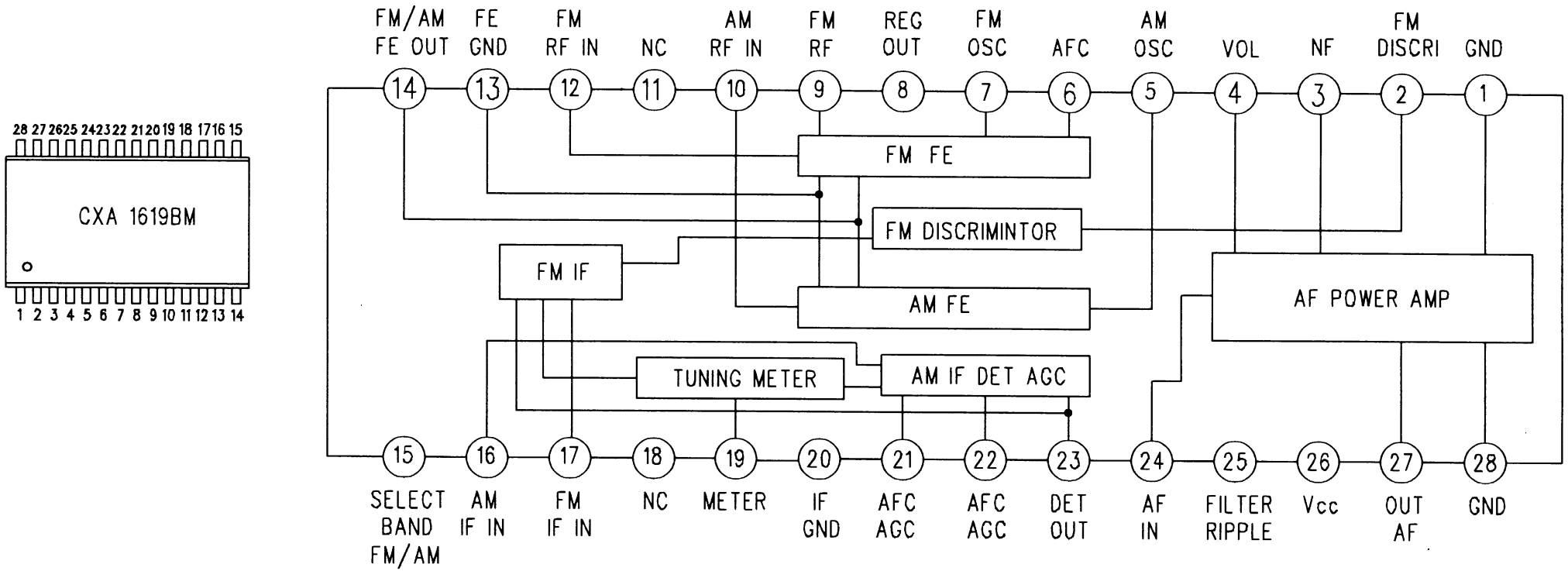








CXA 1619BM



Terminal No.	IC AM	IC FM
1	0	0
2	2.7V	2.18V
3	1.5V	1.5V
4	1.25V	1.25V
5	1.25V	1.25V
6		1.25V
7	1.25V	1.25V
8	1.25V	1.25V
9	1.25V	1.25V
10	1.25V	1.25V
11	0	0
12	0	0.3V
13	0	0
14	0.2	0.36
15	0	1.3V
16	0	0
17	0	0.34
18	0	0
19	1.6V	1.6V
20	0	0
21	1.49V	1.25V
22	1.25V	1.25V
23	1V	1.25V
24	0	0
25	2.71V	2.71V
26	3V	3V
27		
28	0	0

